



225 TMi-CNC



180-CCN



Up to 65 ROCKWELL-HRC
Ra = 0,1-0,4



125-CCN



225 TM-CNC



202 TG



Car industry



Optical



Micro
mechanic



Aeronautic
aerospace



Medical
dental



Tooling

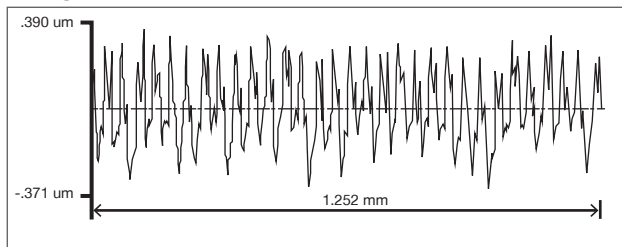


Equipment



Defence

Roughness

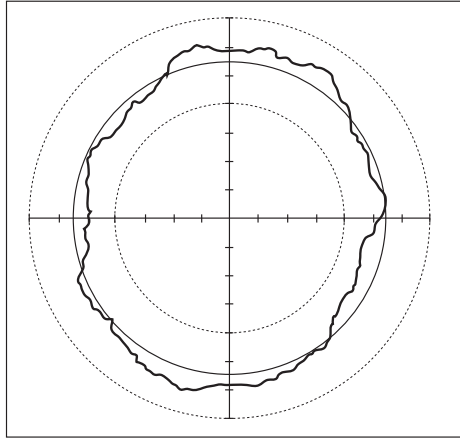


Talyrod

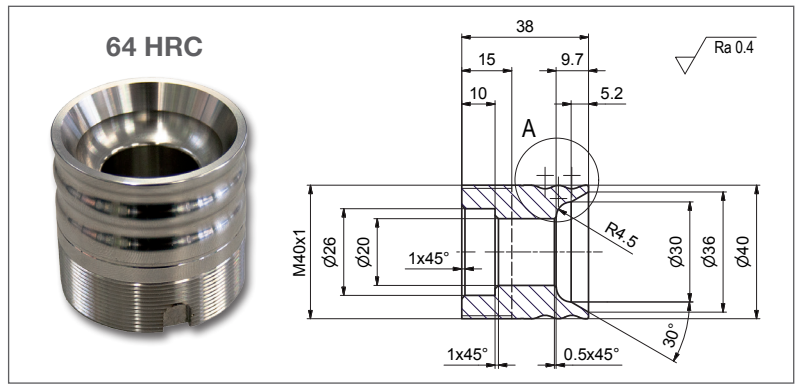
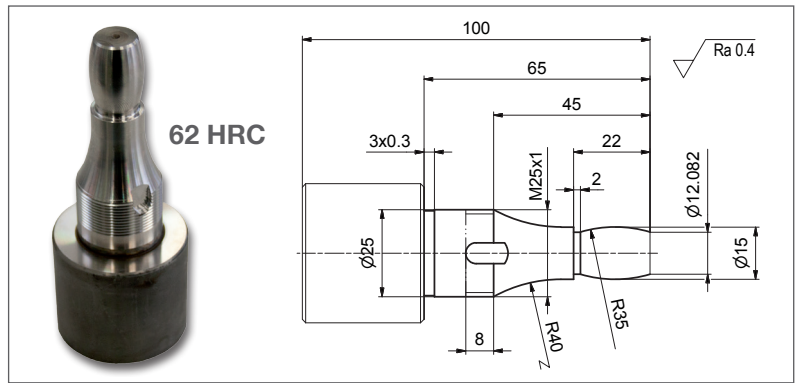
THP TR252 Version 3.26

Schaublin Machines SA Bévillard CH

RESULTATS CIRC. L3



Nom identifi	D EXT
No identifi	00
R	7.5007 mm
O	0.75 μm
E	1.40 μm
\angle	167.0 deg
λ	3.05 μm
Echelle	0.50 μm
Z haut	139.2 mm
Reference	BROCHE
Type filtre	2CR
Filtre	1-50 Opr
Profil	100.0%
Mode mes.	Externe
Date mes.	10-12-2012
Heure mes.	15.02:15



60-CNC / 100-CNC / 160-CNC
Vertical Machining Centers



48V / 48V-15K
Compact vertical machining centers



HSM 330 / 510
High speed milling center



842
High precision and production turning center



125-CCN / 180-CCN
High Precision CNC lathe



302
High Precision CNC lathe



202 TG
Production machine combining turning and grinding



102 TM-CNC
High Precision CNC lathe



225 TM-CNC
High Precision CNC lathe



225 TMI-CNC
High Precision CNC lathe



102N-CF / 102Mi-CF / 102N-VM-CF
High Precision conventional Lathes (Bench/Cast Iron)



70-CF / 70Mi-CF
High Precision conventional Lathes